

**MICRO SWITCH**  
a Honeywell Division

ASSEMBLY—SWITCH

CATALOG LISTING

3AC5

KC-C0050

FED. MFG. CODE 91929

CATALOG LISTING  
3AC5  
PAGE 1 OF 1

ISSUE  
14

REVISIONS  
A  
K D R  
9 SEP 96

DDM/CAD  
DRAWN

REPLACES

RELEASE NO.

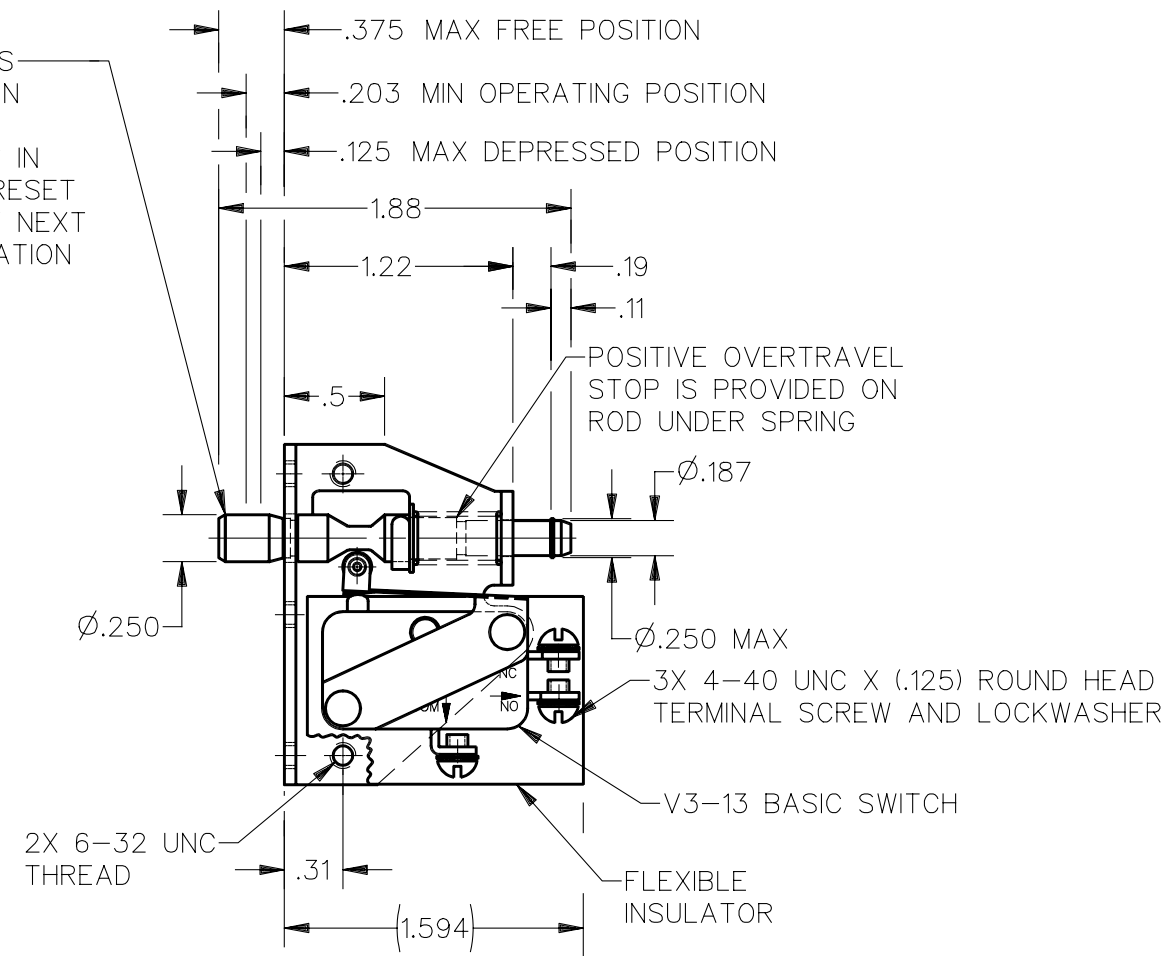
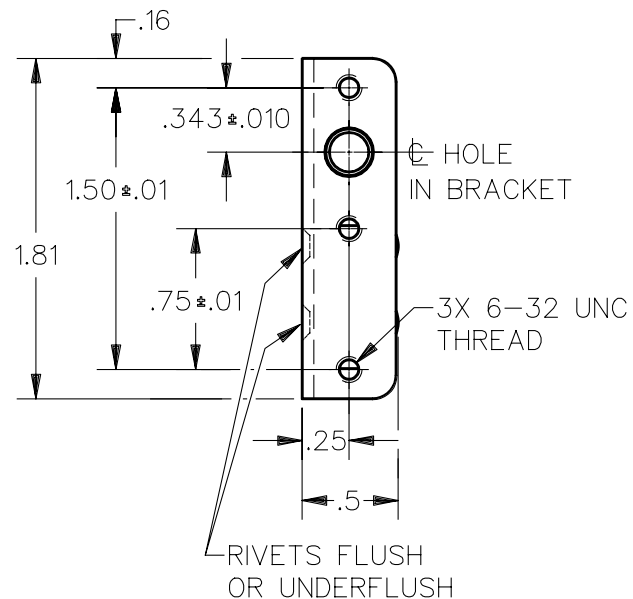
CHECK

CHECK

CHECK

K D R 9 SEP 96

PUSH TO OPERATE—RETURNS  
AUTOMATICALLY TO POSITION  
SHOWN  
PULL TO OPERATE—REMAINS IN  
OPERATED POSITION UNTIL RESET  
FOR AUTOMATIC RETURN BY NEXT  
FULL STROKE "PUSH" OPERATION



NOTES

- 1 - NOTCH IN ACTUATOR ROD WILL PERMIT .035 DISPLACEMENT BETWEEN END OF ROD AND HOLE IN BRACKET
- 2 - PLASTIC PARTS ARE MADE OF MINERAL FILLED PHENOLICS
- 3 - WITH ROD IN EITHER ACTUATED POSITION, BASIC SWITCH PLUNGER MUST HAVE .010 MIN OVERTRAVEL AND WITH ROD IN FREE POSITION BASIC SWITCH PLUNGER MUST HAVE .005 MIN RELEASE TRAVEL

THIS DRAWING COVERS A PROPRIETARY ITEM AND IS THE PROPERTY OF MICRO SWITCH, A DIVISION OF HONEYWELL. THIS DRAWING IS NOT TO BE COPIED OR USED WITHOUT THE APPROVAL OF MICRO SWITCH		THIRD ANGLE PROJECTION 
<b>CHARACTERISTICS</b>	<b>ELECTRICAL DATA</b>	SCALE FULL
TOTAL TRAVEL .250 APPROX PUSH DIRECTION .187 APPROX PULL DIRECTION	CONTACT ARRANGEMENT S P D T	DO NOT SCALE PRINT
FULLY DEPRESSED FORCE --- 4 LB MAX	15.1A 1/2HP 125 OR 250 VAC 1/2A 125 VDC, 1/4A 250 VDC 5A 125 VAC "L"	<b>UNLESS OTHERWISE SPECIFIED TOLERANCES ARE</b>
		ONE PLACE (.0) ±.030
		TWO PLACE (.00) ±.015
		THREE PLACE (.000) ±.005
		ANGLES ±
		WEIGHT

ANSI Y14.5M-1982 APPLIES